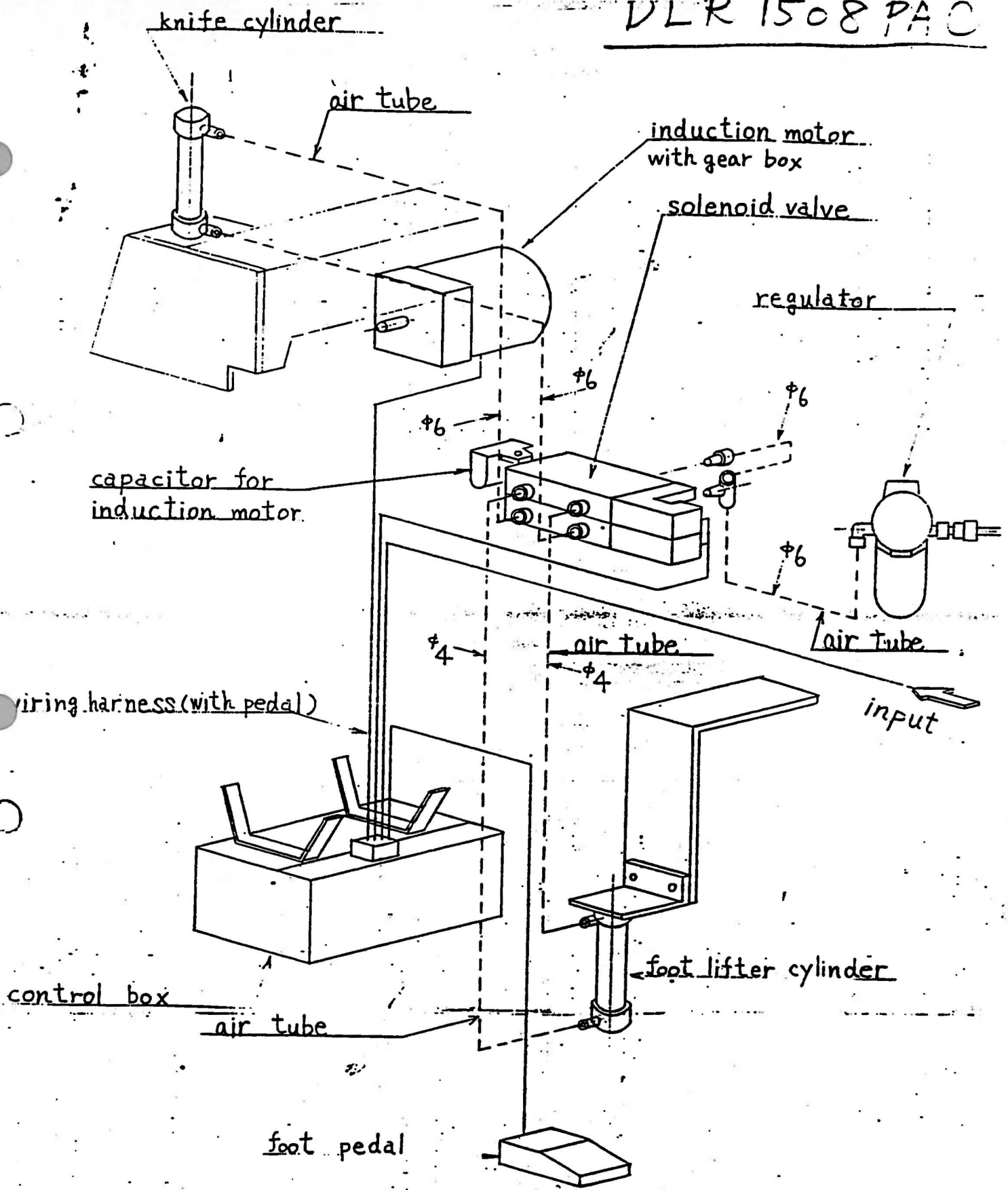

PARTS LIST

DLR

1508 PAC

DLR 1508 PAC



機種 DLR150c PAC Air control diagram foot lifter and knife

品番	品名	図番	備考	数量	備考
1	solenoid valve bracket	52-016	△	1	
2	capacitor for induction motor	M53-004	△	1	SH-SP CAP 400V. AC 15MFD
3	single solenoid valve (foot lifter)	M53-013	△	1	CKD 4F110-06 DC-24V.
4	silencer	M53-014	△	4	CKD SLW-6A
5	connector	M53-015	△	4	CKD GH-041
6	connector	M53-016	△	5	CKD GH-06L
7	single solenoid valve (knife)	M53-013	△	1	CKD 4F110-06 DC-24V
8	T-shaped joint	M53-017	△	1	CKD GC-061
9	socket pipe	M53-018	△	1	20 SH
10	coupler	M53-019	△	1	10 PM
11	Regulator (with air filter and meter)	M53-020	△	1	CKD A7019-1C
12	L-shaped joint	M53-021	△	1	CKD GL-061
13	Foot pedal	06-535	△	1	
14	foot lifter cylinder bracket	52-011	△	1	
15	foot lifter cylinder	M53-022	△	1	CKD CMK-LB-32-50-Y
16	control box	M53-023	△	1	LIMI-STOPZ TYPE 145
17			△		
18			△		
			△		
			△		
			△		
			△		
			△		
			△		
			△		
			△		

DLR

機種 1508 PAC

Puller drive

No. _____

品	品	名	圖	番	備	考
1	induction motor with gear box	M53-001	-	△	1	81 H25G 8GH60B
2	pin	52-024	-	△	1	(3)
3	bracket A	52-001	-	△	1	
4	coupling cover	52-022	-	△	1	
5	screw	84-362	-	△	2	
6	screw	87-173	-	△	2	
7	bracket B	52-002	-	△	2	
8	metal cover	52-008	-	△	2	
9	bearing	52-003	-	△	1	
10	center shaft	52-113	-	△	1	
11	screw	87-204	-	△	4	
12	motor bracket	52-007	-	△	1	
13	screw	87-173	-	△	2	
14	coupling	52-014	-	△	1	
15	screw	84-521	-	△	2	
16	one-way clutch	52-017	-	△	1	
17	clutch shaft	52-004	-	△	1	
18	bearing	52-018	-	△	2	
19	washer	75-372	-	△	2	
20	collar	75-132	-	△	1	
21	universal joint	52-021	-	△	1	≡ ⁴ B-8 φ8
22	pin stop ring	52-023	-	△	1	
23	universal joint	52-134	-	△	1	≡ ⁴ B-8 φ8
24			-	△		
25			-	△		
26			-	△		

機種 ELR 1508 PAC Knife and Puller components

品番	品名	図番	備考
1	Head cover	52-100 - Δ	1
2	Side cover	52-115 - Δ	1
3	Screw	84-570 - Δ	3
4	Upper knife slide	52-102 - Δ	1
5	Upper knife installation bar	52-103 - Δ	1
6	Upper knife	08-281 - Δ	1
	Screw	84-571 - Δ	23
7	Upper knife liner A	52-104 - Δ	1
7	Spring	23-187 - Δ	6
10	Nut	86-261 - Δ	6
11	Screw	84-386 - Δ	6
12	Presser bar spring	79-121 - Δ	1
12	Presser bar screw	85-761 - Δ	1
12	Nut	86-851 - Δ	1
13	Screw	26-709 - Δ	2
16	Amp case installation plate	52-112 - Δ	1
17	Amp case	52-127 - Δ	1
18	Screw	84-605 - Δ	5
19	Screw	87-198 - Δ	4
20	Cylinder (Upper knife)	52-133 - Δ	1
21	Washer	75-467 - Δ	8
22	Cylinder bracket	52-101 - Δ	1
23	Upper knife liner B	52-105 - Δ	1
24	Roller connecting arm	52-109 - Δ	1
25	Nut	88-157 - Δ	1
26	Puller upper lever	52-114 - Δ	1

